



Universal Vari-Tune Muffler

Part # 3101, 31015, 3102, 31025, 3103, 31035



Tools Required:

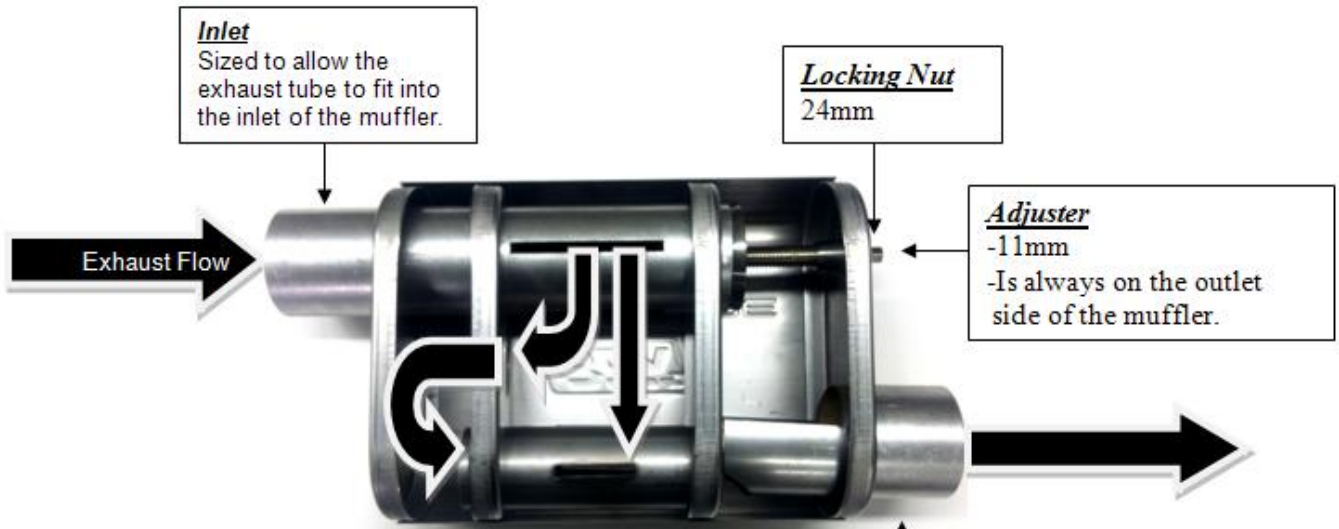
- Basic Tools

Install Time:

Approximately
30 mins-1 Hour

Difficulty:

1 out of 5



Description:

Having the muffler adjusted all the way in "closed" will make the sound of the exhaust the quietest and depending on the vehicle can also change the performance characteristics.

Outlet

The exhaust tube or tip needs to be expanded to fit over the outlet tube of the muffler.



Join our Facebook page
www.facebook.com/bbkperformance



Follow us on Twitter
[@bbkperformance](https://twitter.com/bbkperformance)



Check us out on Youtube
www.youtube.com/bbkperformance

GO TO NEXT PAGE

WWW.BBKPERFORMANCE.COM

For any questions, email us:
tech@bbkperformance.com

installation instructions

IMPORTANT: All appropriate safety equipment and gear must be used during the installation of this or any BBK Performance products or any time you work on a vehicle. BBK Performance Inc. accepts no responsibility for injuries or damage caused by or during the installation of this product.



Universal Vari-Tune Muffler

Part # 3101, 31015, 3102, 31025, 3103, 31035

As you adjust the muffler open this allows the exhaust to bleed through and bypass the second baffle and go straight through the outlet tube. This increases the sound of the exhaust and depending on the vehicle will also change the performance characteristics.



Adjusting the Vari-Tune Muffler

- Step 1: Loosen the locking nut and turn the adjuster counter-clockwise to open up the adjustable bypass cone.
- Step 2: Once you have reached the desired setting tighten the locking nut by holding the adjuster in place with a 11mm wrench and tighten the locking nut with a 24mm wrench.

IMPORTANT!!! Do not adjust the Vari-Tune Muffler while the muffler is hot. Allow the muffler to cool down to prevent the adjuster from seizing.



Join our Facebook page
www.facebook.com/bbkperformance



Follow us on Twitter
 @bbkperformance



Check us out on Youtube
www.youtube.com/bbkperformance

WWW.BBKPERFORMANCE.COM

For any questions, email us:
tech@bbkperformance.com

installation instructions

2

IMPORTANT: All appropriate safety equipment and gear must be used during the installation of this or any BBK Performance products or any time you work on a vehicle. BBK Performance Inc. accepts no responsibility for injuries or damage caused by or during the installation of this product.

INS-190